



## Industrial Horizontal Shut-off Gun

Model **31096**

### FEATURES

- Flow through design makes handling easier.
- Balanced trigger design minimizes trigger force for maximum operator comfort while cleaning.
- Strong, heat resistant Nylon-6 Blend body for internal parts protection and long term durability.
- Internal stainless steel ball and seat assembly extends service life.
- Reinforced safety-latch prevents unintentional operation.
- Notched seat rotates to weep for optional freeze protection.

**SELECTION:** Select a gun to match your system flow and pressure requirements, temperature and function being performed.

**INSTALLATION:** Install the appropriate relief valve when using a shut-off gun to avoid pressure spikes when the gun is shut off. Severe damage can occur to your system without this device.

### SPECIFICATIONS

	U.S. Measure	Metric Measure
Maximum Flow .....	10 GPM	(38 L/M)
Maximum Pressure .....	4000 PSI	(275 BAR)
Maximum Temperature* .....	300°F	(150°C)
Inlet Port (1) .....	3/8" NPTF	(3/8" NPTF)
Discharge Port (1) .....	1/4" NPTF	(1/4" NPTF)
Weight.....	22 oz.	(0.623 kg)
Dimensions .....	7.75 x 4.0 x 1.13"	(197x102x29 mm)

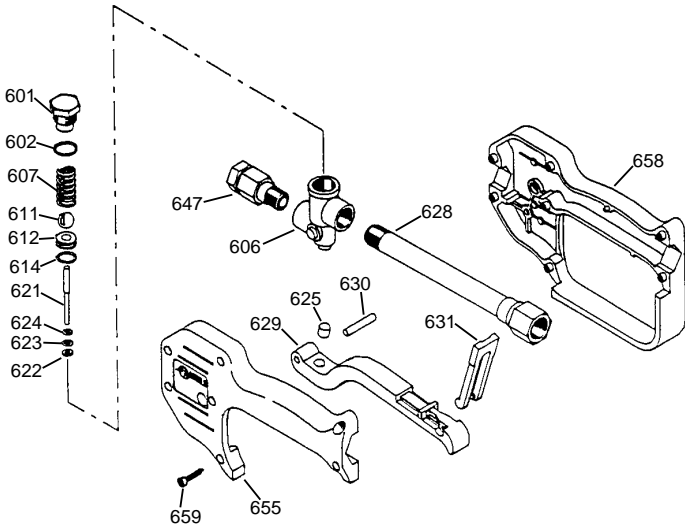
\*Check individual Pump Specifications. Do not exceed pump maximums.

Gun is stamped with a European safety pressure. Use only at above specifications to assure proper gun life and performance.

**OPERATION:** Flow through the gun occurs by squeezing the trigger on the gun. This activates the actuator rod, lifting the ball off the seat and allowing the pumped liquid to flow through the valve body chamber in the gun. Releasing the trigger shuts off the flow.

*“Customer confidence is our greatest asset”*

## EXPLODED VIEW



## PARTS LIST

ITEM	PART NO.	MATL	DESCRIPTION	QTY.
601	33377	BB	Nut, Retaining	1
602	—	NBR	O-Ring, Nut	1
606	—	BB	Body	1
607	33379	SS	Spring, Ball	1
611	32289	SSSS	Ball, Seat	1
612	—	NBR	Seat w/O-Ring*	1
614	—	NBR	O-Ring, Seat - 85D	1
621	36403	S	Rod, Actuator	1
622	35074	PTFE	Back-up-Ring, Rod	1
623	35020	FPM	O-Ring, Rod	1
624	35001	BB	Washer, Rod	1
625	—	D	Striker, Trigger	1
628	33305	BB	Fitting, Inlet (3/8" NPTF)	1
629	—	NY	Trigger, Black	1
630	—	BB	Pin, Trigger	1
631	—	NY	Latch, Safety, Red	1
647	36408	BB	Fitting, Discharge (1/4" NPTF)	1
655	—	NY	Handle, Left Half	1
658	—	NY	Handle, Right Half	1
659	—	STZP	Screw, Self Threading (M3.5x18)	7
665	36410	NY	Assembly, Handle (Incls: 655, 658, 659)	1
667	36411	—	Assembly, Trigger (Incls: 625, 629, 630, 631)	1
668	36407	—	Kit, Repair (Incls: 602, 611, 612, 614, 621, 622, 623)	1

\*To convert from standard to weep, rotate seat with notch toward the ball.

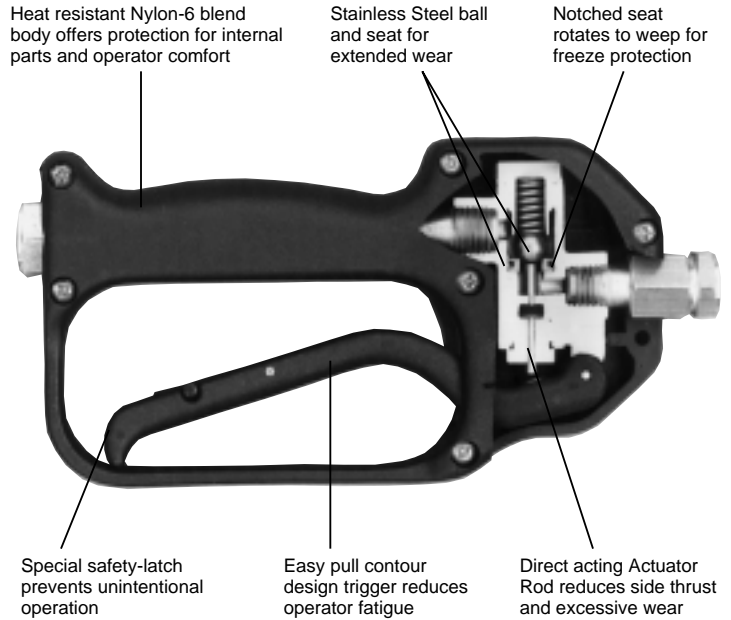
MATERIAL CODES (Not Part of Part Number): BB=Brass D=Acetal

FPM=Fluorocarbon NBR=Medium Nitrile (Buna-N) NY=Nylon

PTFE=Pure Polytetrafluoroethylene S=304SS SS=316SS SSSS=440SS

STZP=Steel/Zinc Plated

## CUTAWAY



### ⚠ WARNING

Severe injury can occur with high pressure spray.  
Do not allow spray to contact any part of body.

### — TROUBLESHOOTING —

Water leaking out the discharge of the gun

- Object lodged between the seat and ball
- Seat worn
- O-Ring under seat worn

Water leaking out the lever area

- O-Ring around push rod worn

Excessive weeping

- Seat worn

### — OPTIONAL LANCES —

32036	Lance, Single, Square Insulated - Black-36"-1/4", 3650 PSI
32042	Lance, Single, Square Insulated - Stainless Steel-36"-1/4", 3650 PSI
32264	Lance, Single, Molded - Zinc Plated-24"-1/4"BSP, 3650 PSI
36267	Lance, Single, Molded - Zinc Plated-36"-1/4"BSP, 3650 PSI
32268	Lance, Single, Molded - Zinc Plated-48"-1/4"BSP, 3650 PSI

### — WARRANTY —

#### 90 Day Warranty

Refer to complete CAT PUMPS Warranty for further information.

Products described hereon are covered by one or more of the following U.S. patents 3558244, 3652188, 3809508, 3920356, 3930756 and 5035580

### World Headquarters

#### CAT PUMPS

1681 - 94th Lane N.E. Minneapolis, MN 55449-4324

Phone (763) 780-5440 — FAX (763) 780-2958

e-mail: techsupport@catpumps.com

www.catpumps.com

### International Inquiries

FAX (763) 785-4329

e-mail: intl@catpumps.com



The Pumps with Nine Lives

### CAT PUMPS (U.K.) LTD.

1 Fleet Business Park, Sandy Lane, Church Crookham

FLEET, Hampshire, GU52 8BF, England

Phone Fleet 44 1252-622031 — Fax 44 1252-626655

e-mail: sales@catpumps.co.uk

### N.V. CAT PUMPS INTERNATIONAL S.A.

Heiveldekens 6A, B-2550 Kontich, Belgium

Phone 32-3-450.71.50 — Fax 32-3-450.71.51

e-mail: cpi@catpumps.be www.catpumps.be

### CAT PUMPS DEUTSCHLAND GmbH

Buchwiese 2, D-65510 Idstein, Germany

Phone 49 6126-9303 0 — Fax 49 6126-9303 33

e-mail: catpumps@t-online.de www.catpumps.de